

### FEATURES

- 120 mA current sink
- Available in 8-lead LFCSP package
- 2-wire (I<sup>2</sup>C<sup>®</sup>-compatible) serial interface
- 10-bit resolution
- Integrated current sense resistor
- 2.7 V to 5.5 V power supply
- Guaranteed monotonic over all codes
- Power-down to 0.5  $\mu$ A typical
- Internal reference
- Ultralow noise preamplifier
- Power-down function
- Power-on reset

### CONSUMER/COMMUNICATIONS APPLICATIONS

- Lens autofocus
- Image stabilization
- Optical zoom
- Shutters
- Iris/exposure
- Neutral density filter NDFs
- Lens covers
- Camera phones
- Digital still cameras
- Camera modules
- Digital video cameras (DVCs)/camcorders
- Camera-enabled devices
- Security cameras
- Web/PC cameras

### INDUSTRIAL APPLICATIONS

- Heater control
- Fan control
- Cooler (Peltier) control
- Solenoid control
- Valve control
- Linear actuator control
- Light control
- Current loop control

### FUNCTIONAL BLOCK DIAGRAM

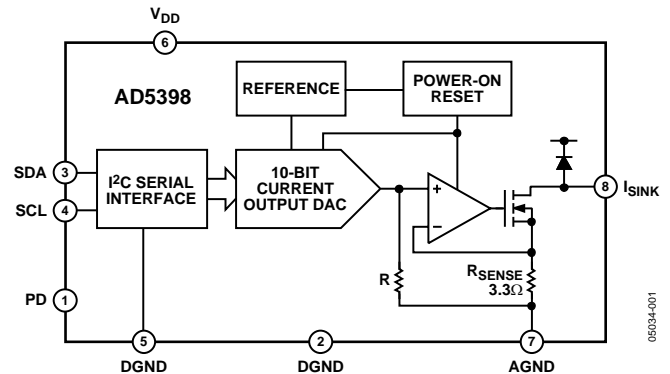


Figure 1.

### GENERAL DESCRIPTION

The AD5398 is a single 10-bit DAC with 120 mA output current sink capability. It features an internal reference, and operates from a single 2.7 V to 5.5 V supply. The DAC is controlled via a 2-wire (I<sup>2</sup>C-compatible) serial interface that operates at clock rates up to 400 kHz.

The AD5398 incorporates a power-on reset circuit, which ensures that the DAC output powers up to 0 V and remains there until a valid write takes place. It has a power-down feature that reduces the current consumption of the device to 1  $\mu$ A max.

The AD5398 is designed for autofocus, image stabilization, and optical zoom applications in camera phones, digital still cameras, and camcorders.

The AD5398 also has many industrial applications, such as controlling temperature, light, and movement, over the range  $-40^{\circ}\text{C}$  to  $+85^{\circ}\text{C}$  without derating.

The I<sup>2</sup>C address range for the AD5398 is 0x18 to 0x1F inclusive.

### Rev. 0

Information furnished by Analog Devices is believed to be accurate and reliable. However, no responsibility is assumed by Analog Devices for its use, nor for any infringements of patents or other rights of third parties that may result from its use. Specifications subject to change without notice. No license is granted by implication or otherwise under any patent or patent rights of Analog Devices. Trademarks and registered trademarks are the property of their respective owners.

## TABLE OF CONTENTS

Specifications.....	3	Theory of Operation .....	10
AC Characteristics.....	4	Serial Interface .....	10
Timing Characteristics.....	4	I <sup>2</sup> C Bus Operation .....	10
Absolute Maximum Ratings.....	5	Data Format .....	10
ESD Caution.....	5	Power Supply Bypassing and Grounding.....	11
Pin Configuration and Function Descriptions.....	6	Applications.....	13
Typical Performance Characteristics .....	7	Outline Dimensions .....	14
Terminology .....	9	Ordering Guide .....	14

## REVISION HISTORY

12/04—Revision 0: Initial Version

## SPECIFICATIONS

$V_{DD} = 2.7\text{ V to }5.5\text{ V}$ ,  $AGND = DGND = 0\text{ V}$ , load resistance  $R_L = 25\ \Omega$  connected to  $V_{DD}$ ; all specifications  $T_{MIN}$  to  $T_{MAX}$ , unless otherwise noted.

**Table 1.**

Parameter	B Version <sup>1</sup>			Unit	Test Conditions/Comments
	Min	Typ	Max		
<b>DC PERFORMANCE</b>					
Resolution		10		Bits	$V_{DD} = 3.6\text{ V to }4.5\text{ V}$ . Device operates over 2.7 V to 5.5 V with reduced performance. 117 $\mu\text{A}/\text{LSB}$
Relative Accuracy <sup>2</sup>		$\pm 1.5$	$\pm 4$	LSB	
Differential Nonlinearity <sup>2,3</sup>			$\pm 1$	LSB	Guaranteed monotonic over all codes.
Zero Code Error <sup>2,4</sup>	0	1	5	mA	All 0s loaded to DAC.
Offset Error @ Code 16 <sup>2</sup>		0.5		mA	
Gain Error <sup>2</sup>			$\pm 0.6$	% of FSR	@ 25°C
Offset Error Drift <sup>4,5</sup>		10		$\mu\text{A}/^\circ\text{C}$	
Gain Error Drift <sup>2,5</sup>		$\pm 0.2$	$\pm 0.5$	LSB/ $^\circ\text{C}$	
<b>OUTPUT CHARACTERISTICS</b>					
Minimum Sink Current <sup>4</sup>		3		mA	
Maximum Sink Current		120		mA	$V_{DD} = 3.6\text{ V to }4.5\text{ V}$ . Device operates over 2.7 V to 5.5 V, but specified maximum sink current might not be achieved.
Output Current During PD		80		nA	PD = 1.
Output Compliance <sup>5</sup>	0.6		$V_{DD}$	V	Output voltage range over which max sink current is available.
Power-Up Time		20		$\mu\text{s}$	To 10% of FS, coming out of power-down mode. $V_{DD} = 5\text{ V}$ .
<b>LOGIC INPUTS (PD)<sup>5</sup></b>					
Input Current			$\pm 1$	$\mu\text{A}$	
Input Low Voltage, $V_{INL}$			0.8	V	$V_{DD} = 2.7\text{ V to }5.5\text{ V}$
Input High Voltage, $V_{INH}$	0.7 $V_{DD}$			V	$V_{DD} = 2.7\text{ V to }5.5\text{ V}$
Pin Capacitance		3		pF	
<b>LOGIC INPUTS (SCL, SDA)<sup>5</sup></b>					
Input Low Voltage, $V_{INL}$	-0.3		0.3 $V_{DD}$	V	
Input High Voltage, $V_{INH}$	0.7 $V_{DD}$		$V_{DD} + 0.3$	V	
Input Leakage Current $I_{IN}$			$\pm 1$	$\mu\text{A}$	$V_{IN} = 0\text{ V to }V_{DD}$
Input Hysteresis, $V_{HYST}$	0.05 $V_{DD}$			V	
Digital Input Capacitance, $C_{IN}$		6		pF	
Glitch Rejection <sup>6</sup>			50	ns	Pulse width of spike suppressed.
<b>POWER REQUIREMENTS</b>					
$V_{DD}$	2.7		5.5	V	
$I_{DD}$ (Normal Mode)					$I_{DD}$ specification is valid for all DAC codes.
$V_{DD} = 2.7\text{ V to }5.5\text{ V}$		2.5	4	mA	$V_{IH} = V_{DD}$ , and $V_{IL} = \text{GND}$ , $V_{DD} = 5.5\text{ V}$
$V_{DD} = 2.7\text{ V to }4.5\text{ V}$		2.3	3	mA	$V_{IH} = V_{DD}$ , and $V_{IL} = \text{GND}$ , $V_{DD} = 4.5\text{ V}$
$I_{DD}$ (Power-Down Mode)		0.5	1	$\mu\text{A}$	$V_{IH} = V_{DD}$ , and $V_{IL} = \text{GND}$

<sup>1</sup> Temperature range is as follows: B Version:  $-40^\circ\text{C}$  to  $+85^\circ\text{C}$ .

<sup>2</sup> See the Terminology section.

<sup>3</sup> Linearity is tested using a reduced code range: Codes 32 to 1023.

<sup>4</sup> To achieve near zero output current, use the power-down feature.

<sup>5</sup> Guaranteed by design and characterization; not production tested.

<sup>6</sup> Input filtering on both the SCL and SDA inputs suppresses noise spikes that are less than 50 ns.

## AC CHARACTERISTICS

$V_{DD} = 2.7\text{ V}$  to  $5.5\text{ V}$ ,  $AGND = DGND = 0\text{ V}$ , load resistance  $R_L = 25\ \Omega$  connected to  $V_{DD}$ , unless otherwise noted.

**Table 2.**

Parameter	B Version <sup>1,2</sup>			Unit	Test Conditions/Comments
	Min	Typ	Max		
Output Current Settling Time		250		$\mu\text{s}$	$V_{DD} = 5\text{ V}$ , $R_L = 25\ \Omega$ , $L_L = 680\ \mu\text{H}$ $\frac{1}{4}$ scale to $\frac{3}{4}$ scale change (0x100 to 0x300)
Slew Rate		0.3		$\text{mA}/\mu\text{s}$	
Major Code Change Glitch Impulse		0.15		$\text{nA}\cdot\text{s}$	1 LSB change around major carry
Digital Feedthrough <sup>3</sup>		0.06		$\text{nA}\cdot\text{s}$	

<sup>1</sup> Temperature range is as follows: B Version:  $-40^\circ\text{C}$  to  $+85^\circ\text{C}$ .

<sup>2</sup> Guaranteed by design and characterization; not production tested.

<sup>3</sup> See the Terminology section.

## TIMING CHARACTERISTICS

$V_{DD} = 2.7\text{ V}$  to  $5.5\text{ V}$ . All specifications  $T_{MIN}$  to  $T_{MAX}$ , unless otherwise noted.

**Table 3.**

Parameter <sup>1</sup>	Limit at $T_{MIN}$ , $T_{MAX}$ (B Version)	Unit	Conditions/Comments
$f_{SCL}$	400	$\text{kHz max}$	SCL clock frequency
$t_1$	2.5	$\mu\text{s min}$	SCL cycle time
$t_2$	0.6	$\mu\text{s min}$	$t_{HIGH}$ , SCL high time
$t_3$	1.3	$\mu\text{s min}$	$t_{LOW}$ , SCL low time
$t_4$	0.6	$\mu\text{s min}$	$t_{HD,STA}$ , start/repeated start condition hold time
$t_5$	100	$\text{ns min}$	$t_{SU,DAT}$ , data setup time
$t_6^2$	0.9	$\mu\text{s max}$	$t_{HD,DAT}$ , data hold time
	0	$\mu\text{s min}$	
$t_7$	0.6	$\mu\text{s min}$	$t_{SU,STA}$ , setup time for repeated start
$t_8$	0.6	$\mu\text{s min}$	$t_{SU,STO}$ , stop condition setup time
$t_9$	1.3	$\mu\text{s min}$	$t_{BUF}$ , bus free time between a stop condition and a start condition
$t_{10}$	300	$\text{ns max}$	$t_R$ , rise time of both SCL and SDA when receiving
	0	$\text{ns min}$	May be CMOS driven
$t_{11}$	250	$\text{ns max}$	$t_F$ , fall time of SDA when receiving
	300	$\text{ns max}$	$t_F$ , fall time of Both SCL and SDA when transmitting
	$20 + 0.1 C_b^3$	$\text{ns min}$	
$C_b$	400	$\text{pF max}$	Capacitive load for each bus line

<sup>1</sup> Guaranteed by design and characterization; not production tested.

<sup>2</sup> A master device must provide a hold time of at least 300 ns for the SDA signal (referred to the  $V_{IH,MIN}$  of the SCL signal) in order to bridge the undefined region of SCL's falling edge.

<sup>3</sup>  $C_b$  is the total capacitance of one bus line in pF.  $t_R$  and  $t_F$  are measured between  $0.3 V_{DD}$  and  $0.7 V_{DD}$ .

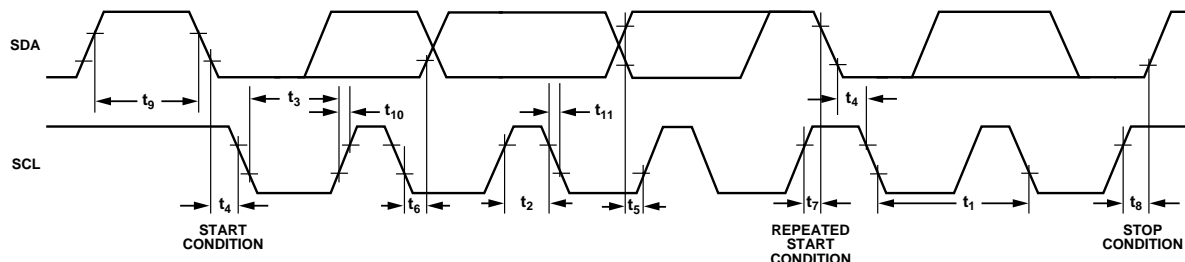


Figure 2. 2-Wire Serial Interface Timing Diagram

## ABSOLUTE MAXIMUM RATINGS

$T_A = 25^\circ\text{C}$ , unless otherwise noted.<sup>1</sup>

**Table 4.**

Parameter	Rating
$V_{DD}$ to AGND	-0.3 V to +7 V
$V_{DD}$ to DGND	-0.3 V to $V_{DD} + 0.3$ V
AGND to DGND	-0.3 V to +0.3 V
SCL, SDA to DGND	-0.3 V to $V_{DD} + 0.3$ V
PD to DGND	-0.3 V to $V_{DD} + 0.3$ V
$I_{SINK}$ to AGND	-0.3 V to $V_{DD} + 0.3$ V
Operating Temperature Range	
Industrial (B Version)	-40°C to +85°C
Storage Temperature Range	-65°C to +150°C
Junction Temperature ( $T_J$ max)	150°C
LFCSP Power Dissipation	$(T_J \text{ max} - T_A)/\theta_{JA}$
$\theta_{JA}$ Thermal Impedance <sup>2</sup>	
Mounted on 2-Layer Board	84°C/W
Mounted on 4-Layer Board	48°C/W
Lead Temperature, Soldering	
Vapor Phase (60 sec)	215°C
Infrared (15 sec)	220°C

<sup>1</sup> Transient currents of up to 100 mA do not cause SCR latch-up.

<sup>2</sup> To achieve the optimum  $\theta_{JA}$ , it is recommended that the AD5398 is soldered on a 4-layer board. The AD5398 comes in an 8-lead LFCSP package with an exposed paddle that should be connected to the same potential as the AD5398 DGND pin.

Stresses above those listed under Absolute Maximum Ratings may cause permanent damage to the device. This is a stress rating only; functional operation of the device at these or any other conditions above those listed in the operational sections of this specification is not implied. Exposure to absolute maximum rating conditions for extended periods may affect device reliability. Only one absolute maximum rating may be applied at any one time.

### ESD CAUTION

ESD (electrostatic discharge) sensitive device. Electrostatic charges as high as 4000 V readily accumulate on the human body and test equipment and can discharge without detection. Although this product features proprietary ESD protection circuitry, permanent damage may occur on devices subjected to high energy electrostatic discharges. Therefore, proper ESD precautions are recommended to avoid performance degradation or loss of functionality.



# AD5398

## PIN CONFIGURATION AND FUNCTION DESCRIPTIONS

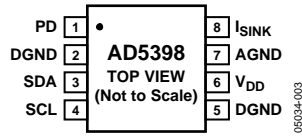


Figure 3. 8-Lead LFCSP

Table 5.

Pin No.	Mnemonic	Description
1	PD	Power Down. Asynchronous power down signal.
2	DGND	Digital Ground Pin.
3	SDA	I <sup>2</sup> C Interface Signal.
4	SCL	I <sup>2</sup> C Interface Signal.
5	DGND	Digital Ground Pin.
6	V <sub>DD</sub>	Digital Supply Voltage.
7	AGND	Analog Ground Pin.
8	I <sub>SINK</sub>	Output Current Sink.

# TYPICAL PERFORMANCE CHARACTERISTICS

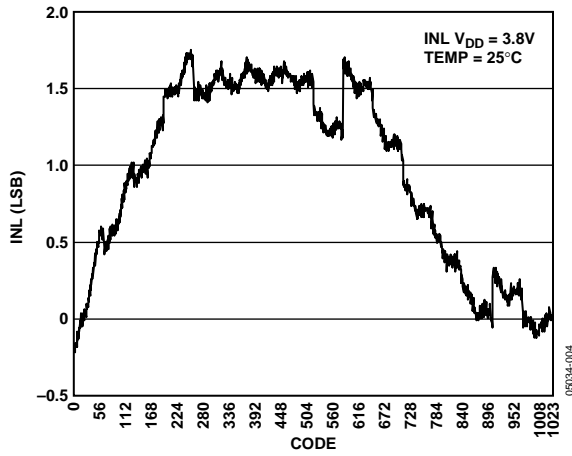


Figure 4. Typical INL Plot

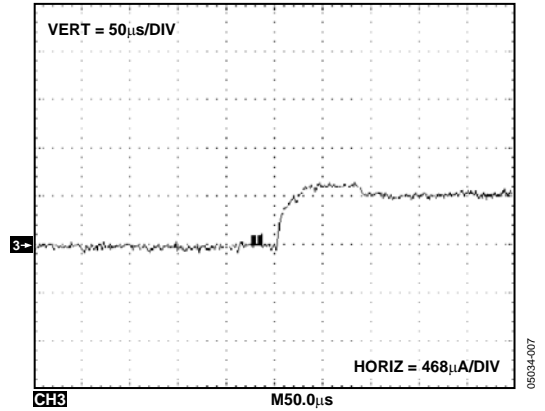


Figure 7. Settling Time for a 4-LSB Step ( $V_{DD} = 3.6 V$ )

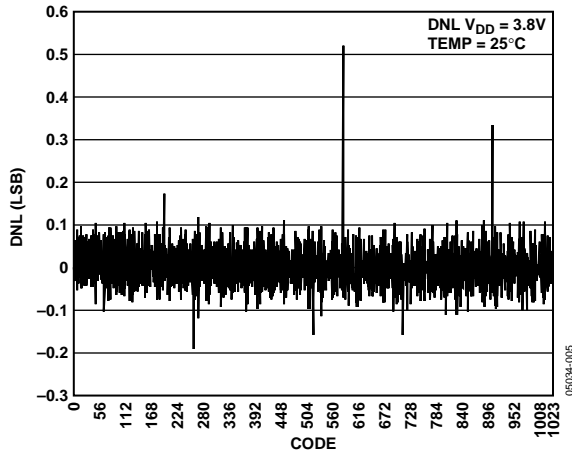


Figure 5. Typical DNL Plot

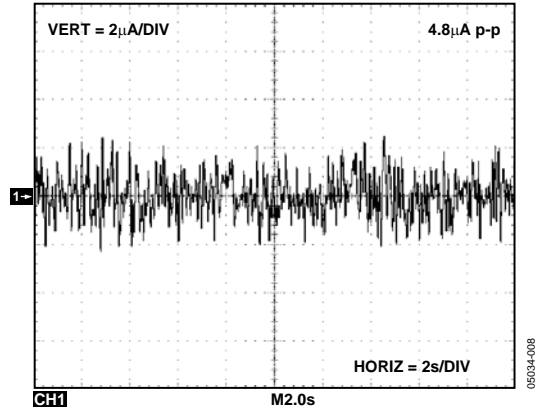


Figure 8. 0.1 Hz to 10 Hz Noise Plot ( $V_{DD} = 3.6 V$ )

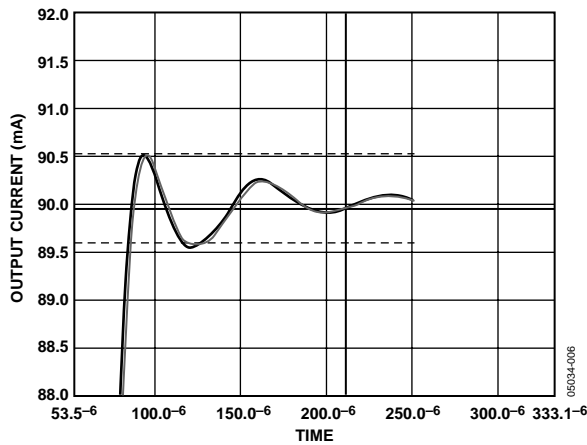


Figure 6.  $\frac{1}{4}$  to  $\frac{3}{4}$  Scale Settling Time ( $V_{DD} = 3.6 V$ )

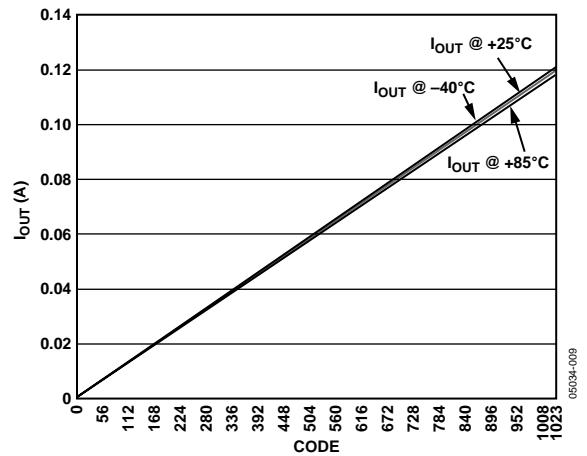


Figure 9. Sink Current vs. Code vs. Temperature ( $V_{DD} = 3.6 V$ )

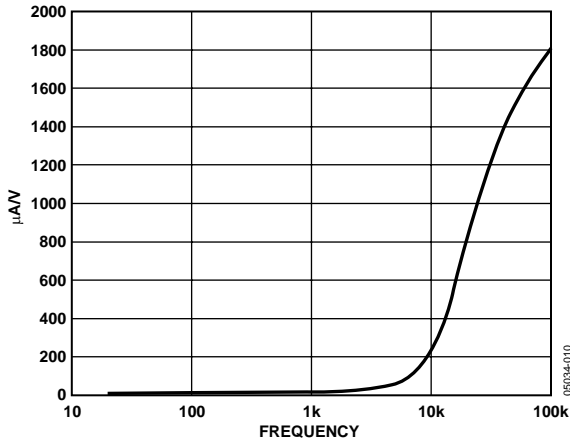


Figure 10. AC Power Supply Rejection ( $V_{DD} = 3.6V$ )

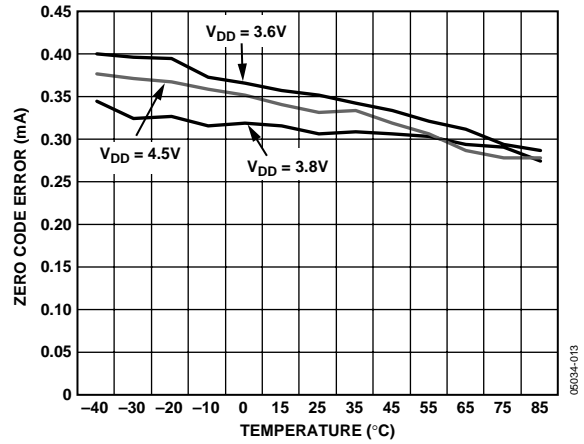


Figure 13. Zero Code Error vs. Supply Voltage vs. Temperature

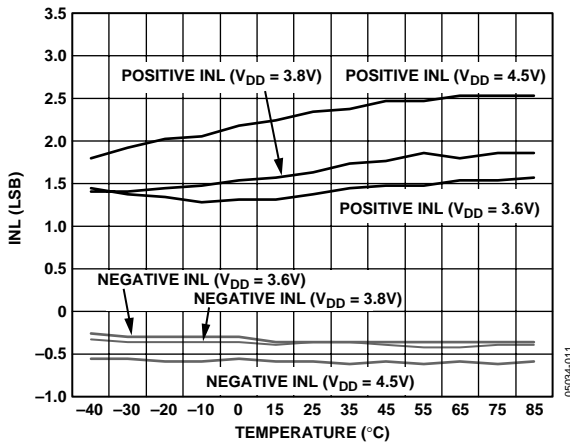


Figure 11. INL vs. Temperature vs. Supply

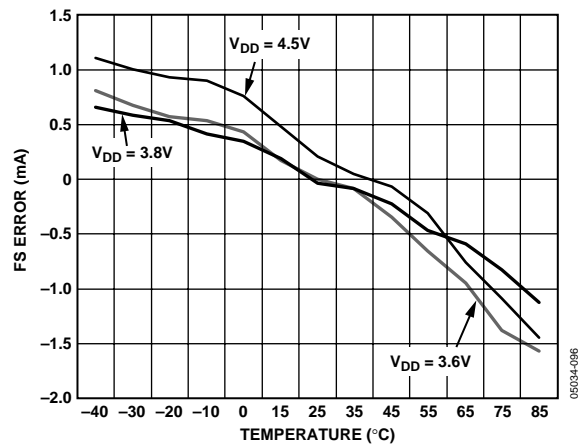


Figure 14. Full-Scale Error vs. Temperature vs. Supply

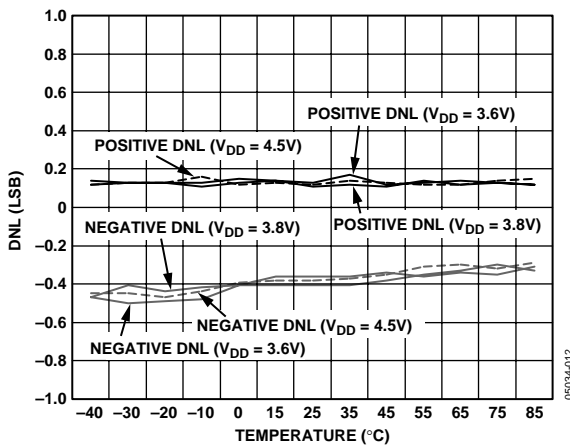


Figure 12. DNL vs. Temperature vs. Supply



## TERMINOLOGY

### Relative Accuracy

For the DAC, relative accuracy or integral nonlinearity is a measurement of the maximum deviation, in LSBs, from a straight line passing through the endpoints of the DAC transfer function. A typical INL vs. code plot is shown in Figure 4.

### Differential Nonlinearity (DNL)

Differential nonlinearity is the difference between the measured change and the ideal 1 LSB change between any two adjacent codes. A specified differential nonlinearity of  $\pm 1$  LSB maximum ensures monotonicity. This DAC is guaranteed monotonic by design. A typical DNL vs. code plot is shown in Figure 5.

### Zero-Code Error

Zero-code error is a measurement of the output error when zero code (0x0000) is loaded to the DAC register. Ideally the output is 0 mA. The zero-code error is always positive in the AD5398 because the output of the DAC cannot go below 0 mA. This is due to a combination of the offset errors in the DAC and output amplifier. Zero-code error is expressed in mA.

### Gain Error

This is a measurement of the span error of the DAC. It is the deviation in slope of the DAC transfer characteristic from the ideal, expressed as a percent of the full-scale range.

### Gain Error Drift

This is a measurement of the change in gain error with changes in temperature. It is expressed in LSB/°C.

### Digital-to-Analog Glitch Impulse

Digital-to-analog glitch impulse is the impulse injected into the analog output when the input code in the DAC register changes state. It is normally specified as the area of the glitch in nA-s and is measured when the digital input code is changed by 1 LSB at the major carry transition.

### Digital Feedthrough

Digital feedthrough is a measurement of the impulse injected into the analog output of the DAC from the digital inputs of the DAC, but is measured when the DAC output is not updated. It is specified in nA-s and measured with a full-scale code change on the data bus, that is, from all 0s to all 1s and vice versa.

### Offset Error

Offset error is a measurement of the difference between  $I_{\text{SINK}}$  (actual) and  $I_{\text{OUT}}$  (ideal) in the linear region of the transfer function, expressed in mA. Offset error is measured on the AD5398 with Code 16 loaded into the DAC register.

### Offset Error Drift

This is a measurement of the change in offset error with a change in temperature. It is expressed in  $\mu\text{V}/^\circ\text{C}$ .

## THEORY OF OPERATION

The AD5398 is a fully integrated 10-bit DAC with 120 mA output current sink capability, and is intended for driving voice coil actuators in applications such as lens autofocus, image stabilization, and optical zoom. The circuit diagram is shown in Figure 15. A 10-bit current output DAC coupled with Resistor R generates the voltage that drives the noninverting input of the operational amplifier. This voltage also appears across the  $R_{SENSE}$  resistor, and generates the sink current required to drive the voice coil.

Resistors R and  $R_{SENSE}$  are interleaved and matched, and therefore the temperature coefficient and any nonlinearities over temperature are matched and the output drift over temperature is minimized. Diode D1 is an output protection diode.

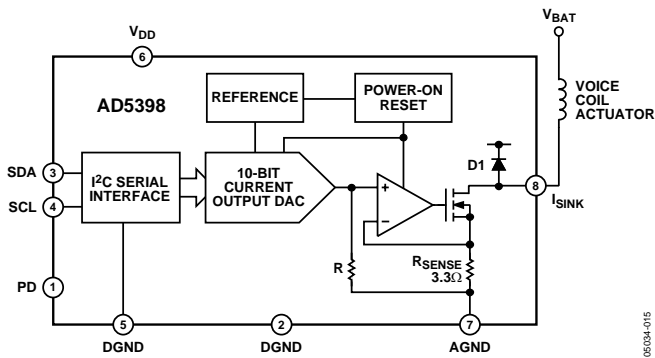


Figure 15. Block Diagram Showing Connection to Voice Coil

## SERIAL INTERFACE

The AD5398 is controlled using the industry-standard I<sup>2</sup>C 2-wire serial protocol. Data can be written to the DAC, or read back from it, at data rates up to 400 kHz. After a read operation the contents of the input register are reset to all zeros.

## I<sup>2</sup>C BUS OPERATION

An I<sup>2</sup>C bus operates with one or more master devices that generate the serial clock (SCL), and read/write data on the serial data line (SDA) to/from slave devices such as the AD5398. All devices on an I<sup>2</sup>C bus have their SCL pin connected to the SDA line, and their SCL pin connected to the SCL line. I<sup>2</sup>C devices can only pull the bus lines low; pulling high is achieved by pull-up resistors  $R_P$ . The value of  $R_P$  depends on the data rate, bus capacitance, and the maximum load current that the I<sup>2</sup>C device can sink (3 mA for a standard device).

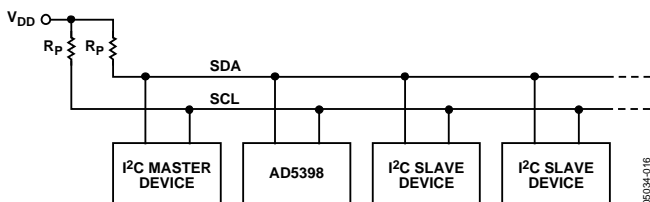


Figure 16. Typical I<sup>2</sup>C Bus

When the bus is idle, SCL and SDA are both high. The master device initiates a serial bus operation by generating a start condition, which is defined as a high-to-low transition on the SDA low while SCL is high. The slave device connected to the bus responds to the start condition, and shifts in the next 8 data bits under control of the serial clock. These 8 data bits consist of a 7-bit address, plus a read/write bit, which is 0 if data is to be written to a device, and 1 if data is to be read from a device. Each slave device on an I<sup>2</sup>C bus must have a unique address. The address of the AD5398 is 0001 100, however, 0001101, 0001110, and 0001111 address the part because the last two bits are unused/don't care (see Figure 17 and Figure 18). Since the address plus R/W bit always equals 8 bits of data, another way of looking at it is that the write address of the AD5398 is 0001 1000 (0x18) and the read address is 0001 1001 (0x19). Again, Bit 6 and Bit 7 of the address are unused, and therefore the write addresses can also be 0x1A, 0x1C, and 0x1E, and the read address can be 0x1B, 0x1D, and 0x1F (see Figure 17 and Figure 18).

At the end of the address data, after the R/W bit, the slave device that recognizes its own address responds by generating an acknowledge (ACK) condition. This is defined as the slave device pulling SDA low while SCL is low before the ninth clock pulse, and keeping it low during the ninth clock pulse. Upon receiving ACK, the master device can clock data into the AD5398 in a write operation, or it can clock it out in a read operation. Data must change only during the low period of the clock, because SDA transitions during the high period define a start condition as described previously, or a stop condition as described in the Data Format section.

I<sup>2</sup>C data is divided into blocks of 8 bits, and the slave generates an ACK at the end of each block. Since the AD5398 requires 10 bits of data, two data-words must be written to it when a write operation, or read back from it when a read operation. At the end of a read or write operation, the AD5398 acknowledges the second data byte. The master generates a stop condition, defined as a low-to-high transition on SDA while SCL is high, to end the transaction.

## DATA FORMAT

Data is written to the AD5398 high byte first, MSB first, and is shifted into the 16-bit input register. After all data is shifted in, data from the input register is transferred to the DAC register.

Because the DAC requires only 10 bits of data, not all bits of the input register data are used. The MSB is reserved for an active-high, software-controlled, power-down function. Bit 14 is unused; Bits 13 to 4 are DAC data; Bits 9 to 0 and Bits 3 to 0 are unused.

During a read operation, data is read back in the same bit order.

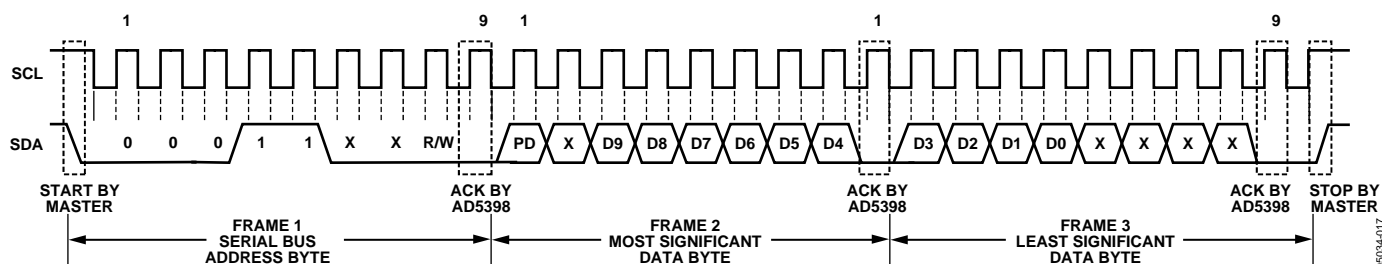


Figure 17. AD5398 Write Operation

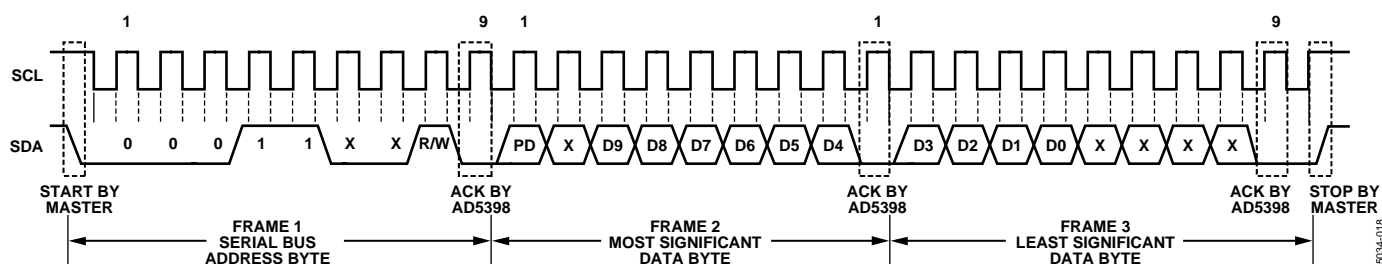


Figure 18. AD5398 Read Operation

Table 6. Data Format

Serial Data Words	High Byte								Low Byte							
Serial Data Bits	SD7	SD6	SD5	SD4	SD3	SD2	SD1	SD0	SD7	SD6	SD5	SD4	SD3	SD2	SD1	SD0
Input Register	R15	R14	R13	R12	R11	R10	R9	R8	R7	R6	R5	R4	R3	R2	R1	R0
Function	PD	X	D9	D8	D7	D6	D5	D4	D3	D2	D1	D0	X	X	X	X

PD = soft power-down; X = unused/don't care; D9 to D0 = DAC data

## POWER SUPPLY BYPASSING AND GROUNDING

When accuracy is important in an application, it is beneficial to consider power supply and ground return layout on the PCB. The PCB for the AD5398 should have separate analog and digital power supply sections. Where shared AGND and DGND is necessary, the connection of grounds should be made at only one point, as close as possible to the AD5398.

Special attention should be paid to the layout of the AGND return path and track between the voice coil motor and  $I_{SINK}$  to minimize any series resistance. Figure 19 shows the output current sink of the AD5398, and illustrates the importance of reducing the effective series impedance of AGND, and the track resistance between the motor and  $I_{SINK}$ . The voice coil is modeled as inductor  $L_C$  and resistor  $R_C$ . The current through the voice coil is effectively a dc current which results in a voltage drop,  $V_C$ , when the AD5398 is sinking current; the effect of any series inductance is minimal. The maximum voltage drop allowed across  $R_{SENSE}$  is 400 mV, and the minimum drain to source voltage of Q1 is 200 mV. This means that the AD5398 output has a compliance voltage of 600 mV. If  $V_{DROP}$  falls below 600 mV, the output transistor, Q1, can no longer operate properly and  $I_{SINK}$  might not be maintained as a constant.

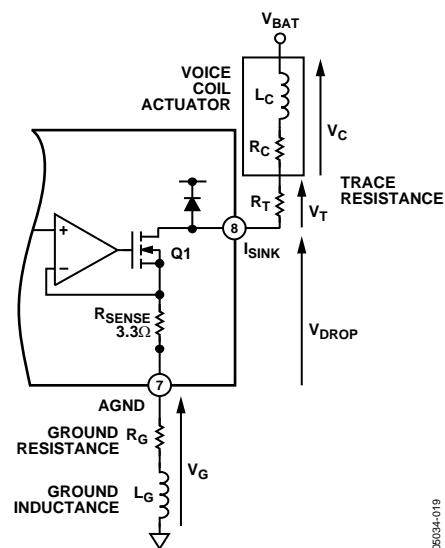


Figure 19. Effect of PCB Trace Resistance and Inductance

## AD5398

As the current increases through the voice coil,  $V_C$  increases and  $V_{DROP}$  decreases and eventually approaches the minimum specified compliance voltage of 600 mV. The ground return path is modeled by the components  $R_G$  and  $L_G$ , and the track resistance between the voice coil and the AD5398 is modeled as  $R_T$ . The inductive effects of  $L_G$  influence  $R_{SENSE}$  and  $R_C$  equally and, because the current is maintained as a constant, it is not as critical as the purely resistive component of the ground return path. When the maximum sink current is flowing through the motor the resistive elements,  $R_T$  and  $R_G$ , might have an impact on the voltage headroom of Q1, and could, in turn, limit the maximum value of  $R_C$  because of voltage compliance.

For example,

$$V_{BAT} = 3.6 \text{ V}$$

$$R_G = 0.5 \text{ } \Omega$$

$$R_T = 0.5 \text{ } \Omega$$

$$I_{SINK} = 120 \text{ mA}$$

$$V_{DROP} = 600 \text{ mV (the compliance voltage)}$$

Then the largest value of resistance of the voice coil,  $R_C$ , is

$$R_C = \frac{V_{BAT} - [V_{DROP} + (I_{SINK} \times R_T) + (I_{SINK} \times R_G)]}{I_{SINK}} = \frac{3.6 \text{ V} - [600 \text{ mV} + 2 \times (120 \text{ mA} \times 0.5 \text{ } \Omega)]}{120 \text{ mA}} = 24 \text{ } \Omega$$

For this reason it is important to minimize any series impedance on both the ground return path and interconnect between the AD5398 and the motor.

The power supply of the AD5398 should be decoupled with 0.1  $\mu$ F and 10  $\mu$ F capacitors. These capacitors should be kept as physically close as possible, with the 0.1  $\mu$ F capacitor serving as a local bypass capacitor, and therefore should be located as close as possible to the  $V_{DD}$  pin. The 10  $\mu$ F capacitor should be a tantalum bead-type; the 0.1  $\mu$ F capacitor should be a ceramic type with a low effective series resistance and effective series inductance. The 0.1  $\mu$ F capacitor provides a low impedance path to ground for high transient currents.

The power supply line itself should have as large a trace as possible to provide a low impedance path and reduce glitch effects on the supply line. Clocks and other fast switching digital signals should be shielded from other parts of the board by digital ground. Avoid crossover of digital and analog signals if possible. When traces cross on opposite sides of the board, ensure that they run at right angles to each other to reduce feedthrough effects through the board. The best board layout technique is to use a multilayer board with ground and power planes, where the component side of the board is dedicated to the ground plane only and the signal traces are placed on the solder side. However, this is not always possible with a 2-layer board.

The exposed paddle on the AD5398 should be soldered to ground to ensure the best possible thermal performance. The thermal impedance of the AD5398 LFCSP package is 48°C/W when soldered in a 4-layer board. It is defined in the Absolute Maximum Ratings.

## APPLICATIONS

The AD5398 is designed to drive both spring preloaded and nonspring linear motors used in applications such as lens auto-focus, image stabilization, or optical zoom. The operation principle of the spring preloaded motor is that the lens position is controlled by the balancing of a voice coil and spring. Figure 20 shows the transfer curve of a typical spring preloaded linear motor for autofocus. The key points of this transfer function are displacement or stroke, which is the actual distance the lens moves in mm, and the current through the motor in mA.

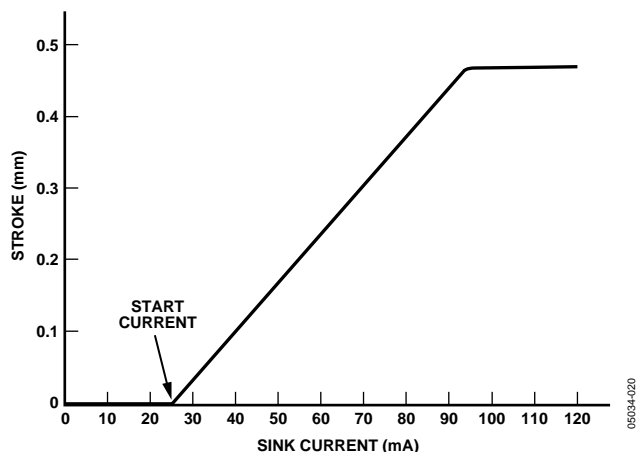


Figure 20. Spring Preloaded Voice Coil Stroke vs. Sink Current

A start current is associated with spring preloaded linear motors, which is effectively a threshold current that must be exceeded for any displacement in the lens to occur. The start current is usually 20 mA or greater; the rated stroke or displacement is usually 0.25 mm to 0.4 mm; and the slope of the transfer curve is approximately 10  $\mu\text{m}/\text{mA}$  or less.

Figure 21 shows the transfer curve for a linear motor, which does not include a spring. The primary difference between this type of motor and the spring preload motor is the absence of the start current. Because no spring is used, displacement occurs when current is applied.

The AD5398 is designed to sink up to 120 mA, which is more than adequate for available commercial linear motors or voice coils. Another factor that makes the AD5398 the ideal solution for these applications is the monotonicity of the device, which ensures that lens positioning is repeatable for the application of a given digital word.

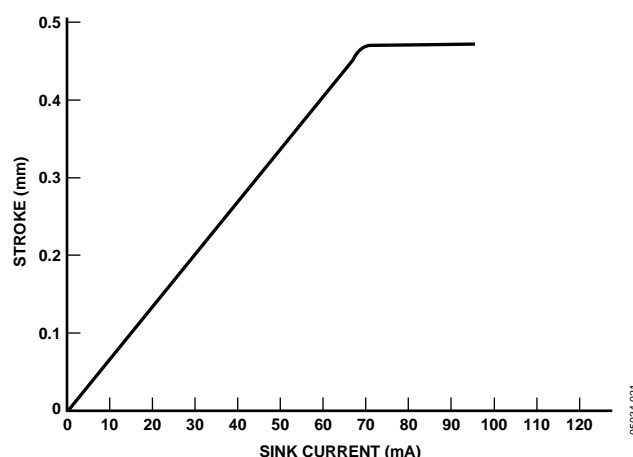


Figure 21. Nonspring Voice Coil Stroke vs. Sink Current

Figure 22 shows a typical application circuit for the AD5398.

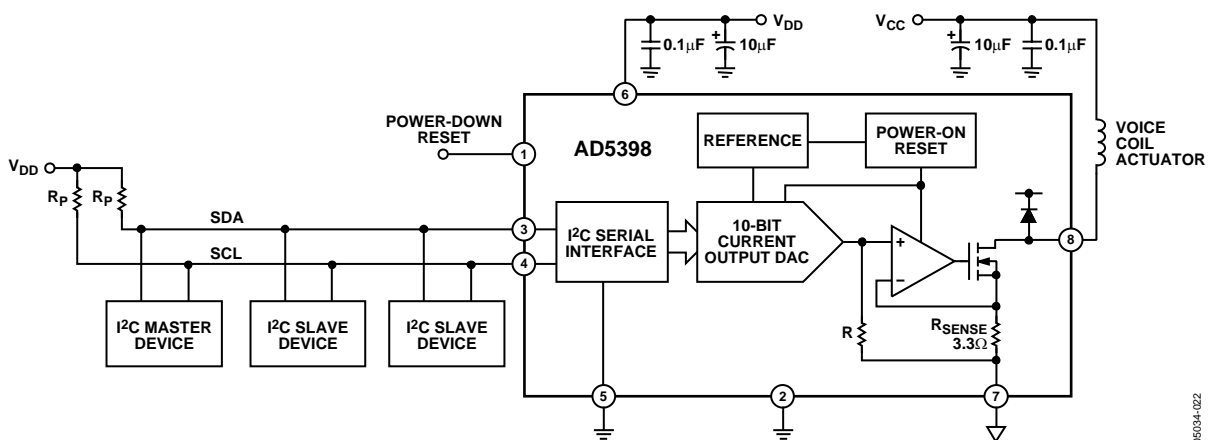


Figure 22. Typical Application Circuit

OUTLINE DIMENSIONS

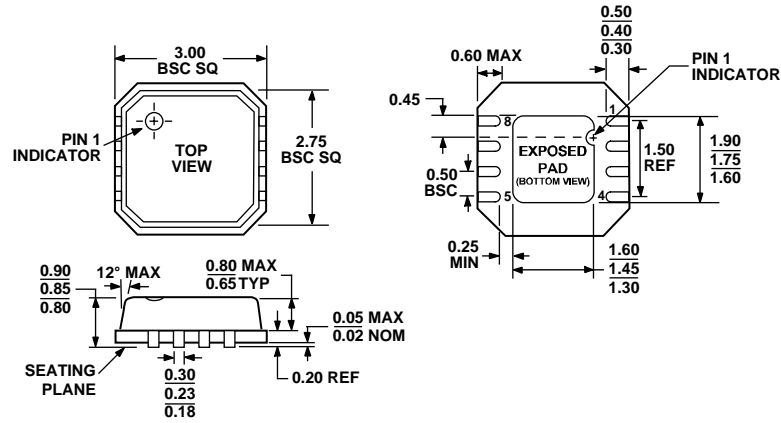


Figure 23. 8-Lead Lead Frame Chip Scale Package [VD\_LFCSP]  
 3 mm × 3 mm Body, Very Thin, Dual Lead  
 (CP-8-2)  
 Dimensions shown in millimeters

ORDERING GUIDE

Model	Temperature Range	Package Description	Package Option
AD5398BCPZ-REEL <sup>1</sup>	-40°C to +85°C	8-lead VD_LFCSP	CP-8-2
AD5398BCPZ-REEL7 <sup>1</sup>	-40°C to +85°C	8-lead VD_LFCSP	CP-8-2
AD5398BCPZ-WP <sup>1</sup>	-40°C to +85°C	8-lead VD_LFCSP	CP-8-2

<sup>1</sup> Z = Pb-free part.

**NOTES**

**AD5398**

**NOTES**

Purchase of licensed I<sup>2</sup>C components of Analog Devices or one of its sublicensed Associated Companies conveys a license for the purchaser under the Philips I<sup>2</sup>C Patent Rights to use these components in an I<sup>2</sup>C system, provided that the system conforms to the I<sup>2</sup>C Standard Specification as defined by Philips.

© 2004 Analog Devices, Inc. All rights reserved. Trademarks and registered trademarks are the property of their respective owners.  
D05304-0-12/04(0)



[www.analog.com](http://www.analog.com)



This datasheet has been download from:

[www.datasheetcatalog.com](http://www.datasheetcatalog.com)

Datasheets for electronics components.